

# ALWID-FAVORIT

fully automatic rotary capping machine

The ALWID-FAVORIT is a fully automatic rotary capping machine with automatic cap sorting and cap feeding. It is available as solo machine with inlet and outlet conveyor or as a blocksystem combined with a filling machine. Depending on the number of capping heads, a performance up to 24000 bottles per hour can be reached.

Further machines can be found on our website [www.alwid.de](http://www.alwid.de)



ill.: ALWID-FAVORIT-8SK (TWIST-OFF)



**ALWID Sondermaschinenbau GmbH**  
Wilder Pool 3 · 49413 Dinklage  
Tel. +49 4443 96630 · Fax +49 4443 2949  
info@alwid.de · www.alwid.de

# ALWID-FAVORIT

## fully automatic rotary capping machine

### Special Characteristics

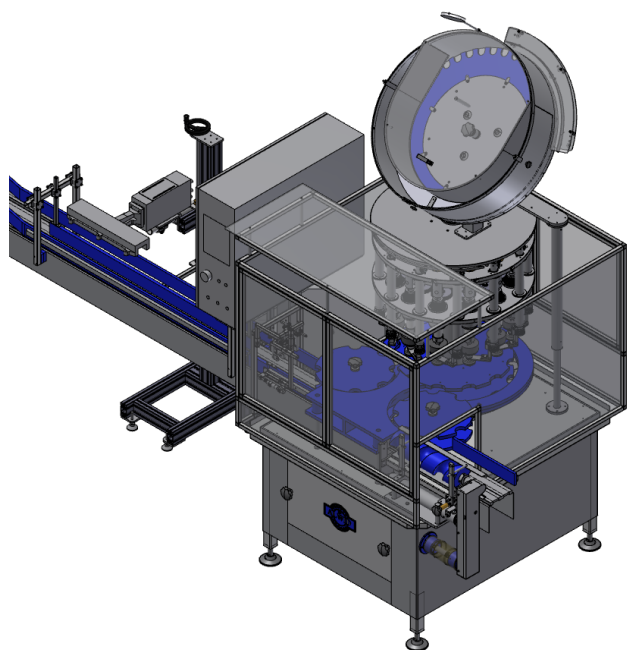
The ALWID-FAVORIT is suitable for several different capping operations. It does not need a special foundation. The working height can be adjusted by turning the spindles in the machine's feet. The machine can be equipped with an inlet worm for the bottles.

As the bottles constantly move during the capping, the operating sequence is smooth. Several safety devices switch the machine off, e.g. when there is a lack of bottles or caps, or when the bottles are clamped in the star wheels etc.

The machine is equipped with an electrical speed adjustment at the machine's drive, so that the capper and the inlet and outlet star wheels work synchronously.

Due to the solid and clear construction (e.g. pluggable format parts), the change over time is reduced to a minimum. If necessary, the capping heads can be quickly and easily changed.

The caps are gently sorted and conveyed to the capping heads. The all sides safety casing with doors and safety switches comply to CE standards



### Technical Data

<b>Capacity:</b>	max. 24000 bottles/h, dependent on the number of capping heads
<b>Number of capping heads:</b>	3, 4, 5, 6, 8, 12
<b>Kind of capping head:</b>	screw-capping head with mechanical or magnetic adjustment of the torque for several screw caps, roll-on capping head for PP-, MCA-, caps, STELCAAP and others, capping heads for press- in and press-on-caps, for grip cork, natural cork, vacuum head (TWIST-OFF) and others
<b>Feeding of the caps:</b>	automatically by vibrator or sorter
<b>Working direction:</b>	left - right / right - left
<b>Working height:</b>	850 +/- 50 mm (or as required)
<b>Base made of:</b>	stainless steel
<b>Electrical connection:</b>	230/400 V, 50 Hz, 3 phases + N + PE (also available in EX-version) or special
<b>Pneumatic connection:</b>	R 1/2" / 6 bar

### Range of application

The machine can be used for several different capping works with totally different requirements.

<b>Diameter of bottles:</b>	individual (the machine will be suitable for your requirements)
<b>Height of bottles:</b>	individual (the machine will be suitable for your requirements)
<b>Material of bottles:</b>	glass, plastic, ceramics or sheet metal
<b>Shape of bottles:</b>	round bottles and molding boxes
<b>Kind of cap:</b>	PP, MCA, crown cork, press-in- / presson-caps, screw caps, twist-off-caps and others

### Our Delivery Program:

- filling machines
- capping machines
- feeding- and collecting tables
- conveyor plants
- sorting machines
- special machines
- handling systems